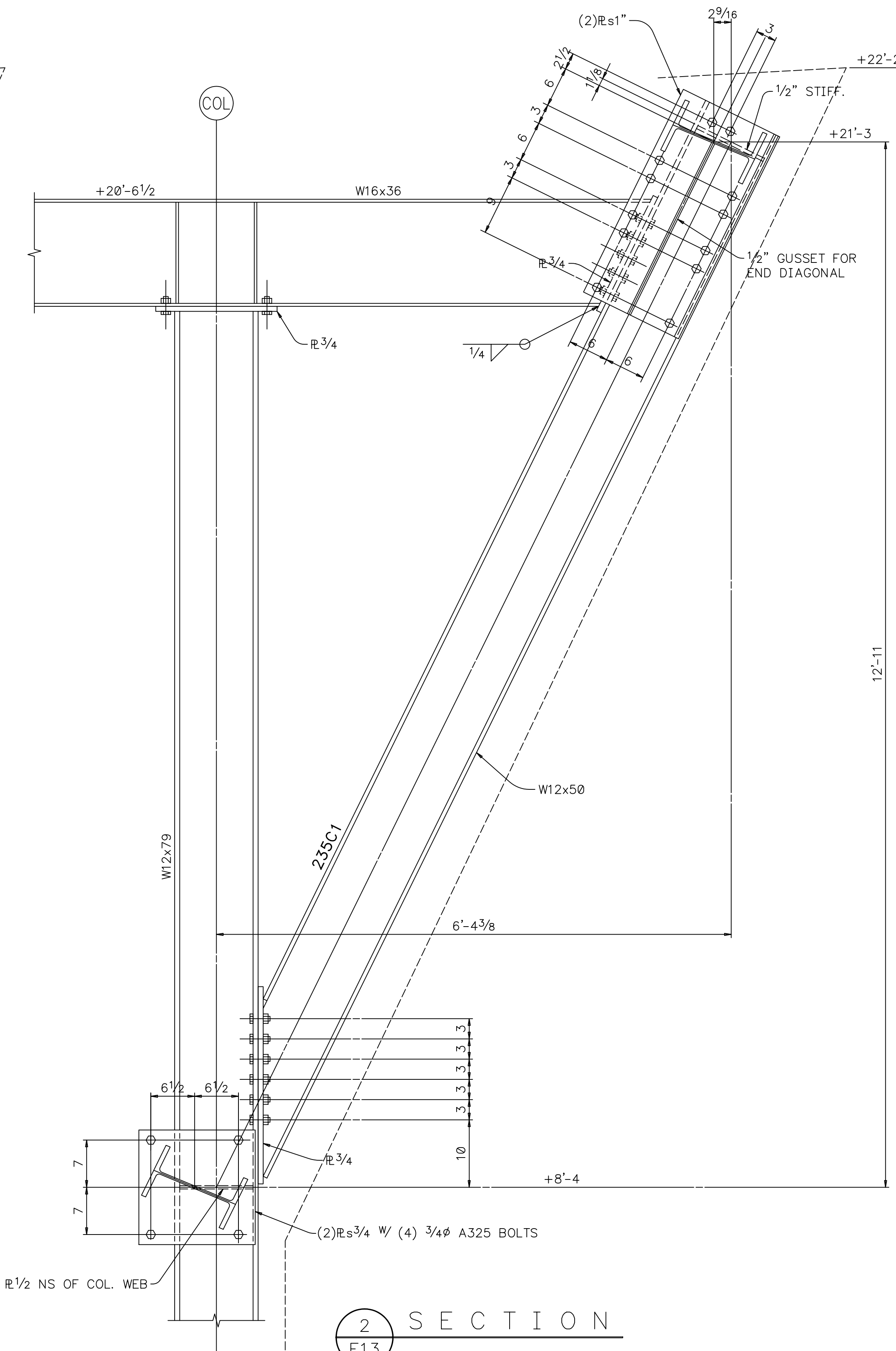
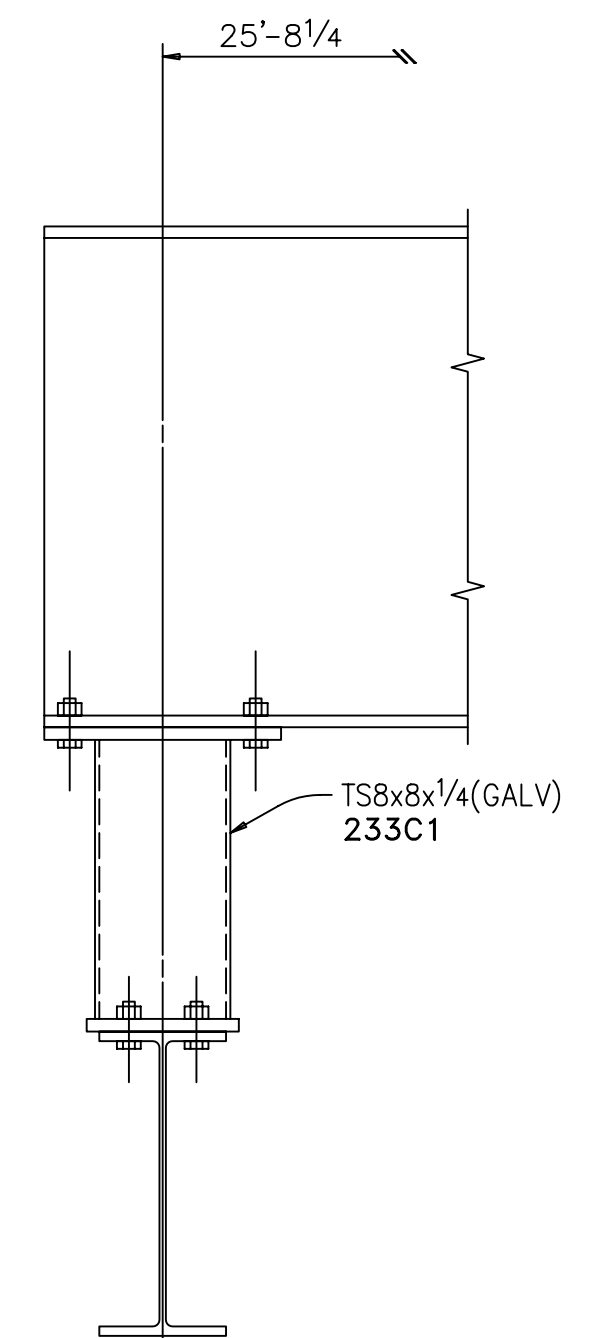


1 SECTION  
E13



2 SECTION  
E13



3 SECTION  
E13

FOR APPROVAL			APPROVED FOR FAB			FIELD USE			
REV.	DATE	DATE APPR.	INIT.	REV.	DATE	INITIAL	REV.	DATE	INITIAL
0	2/11/94		EW						

REVISIONS			
SEQUENCE	Holes 13/16" Unless Noted	Detailed By	1/94
2	Paint 1 S/C RED OXIDE	Checked By	DG

**GRACE & WYLIE FABRICATORS, INC.**  
 Plant: Springfield, Tennessee  
 Office: Brentwood, Tennessee

Structure: **THE NATIONAL CORVETTE MUSEUM**  
 Location: **BOWLING GREEN, KY**  
 Customer: **ALLIANCE/TURNER**  
 Architect: **NEUMANN SMITH & ASSOCIATES**  
 Detail of: **TRUSS T2 SUPPORT FRAMING**

Detailed By: **BV** Date: **1/94** Sheet No. **E13** Contract No. **1238**  
 Checked By: **DG** Date: \_\_\_\_\_ of \_\_\_\_\_