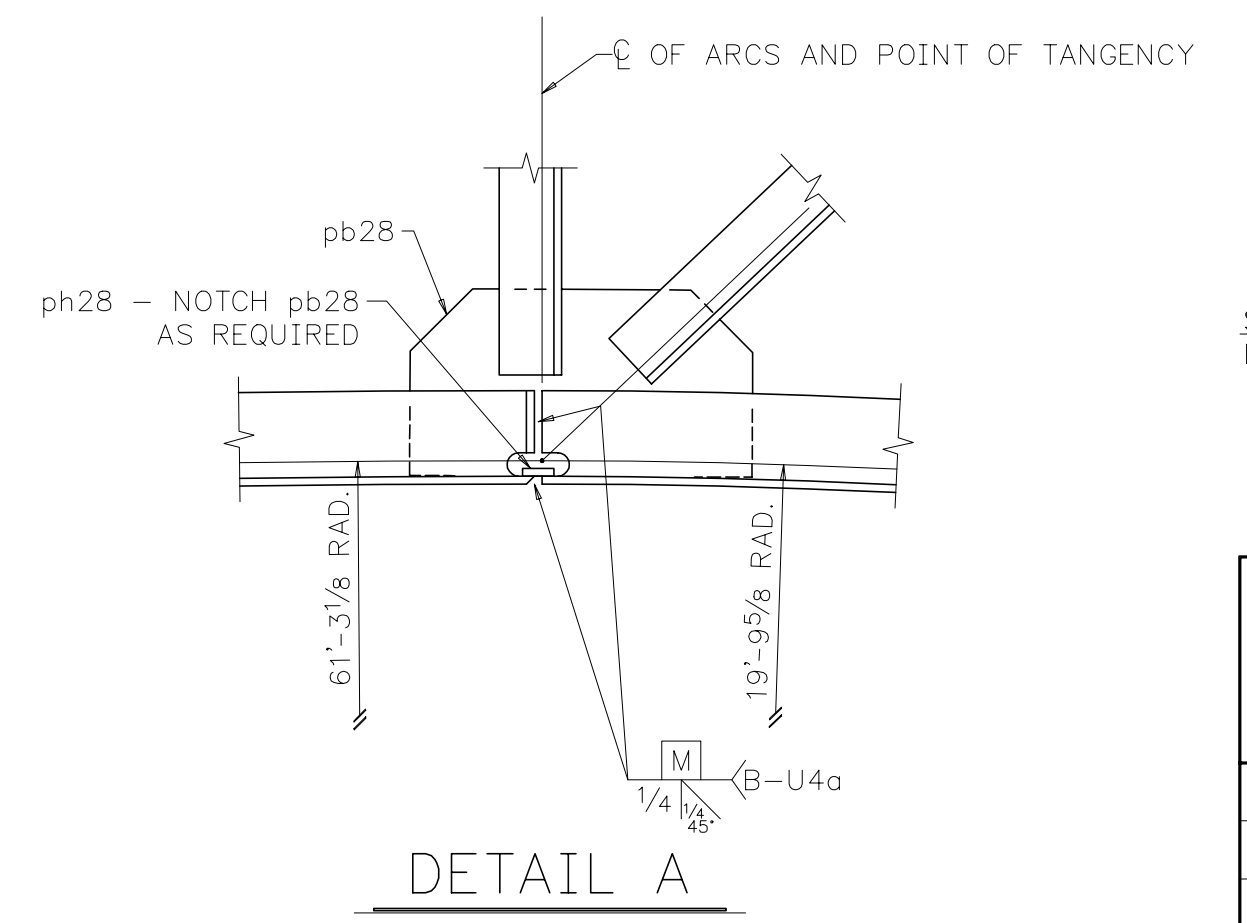
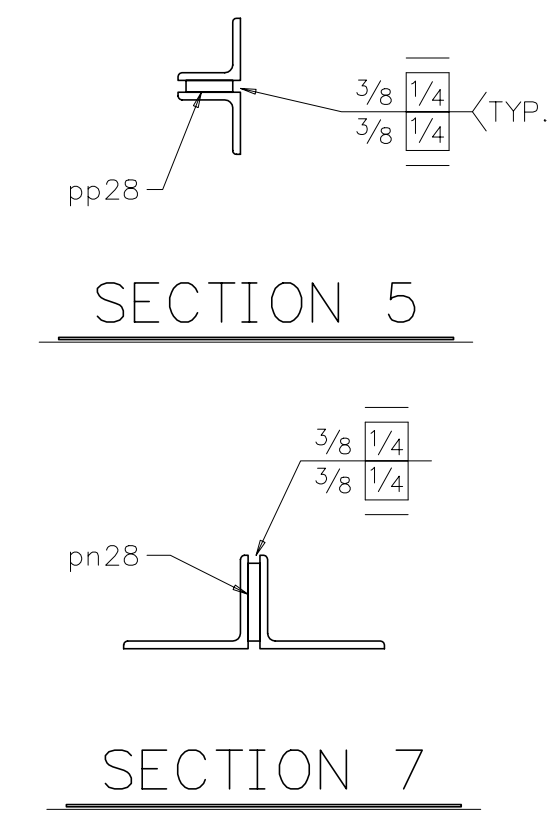
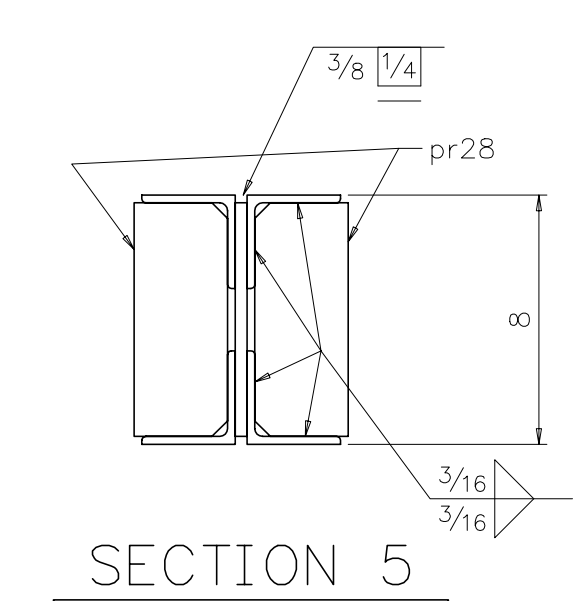
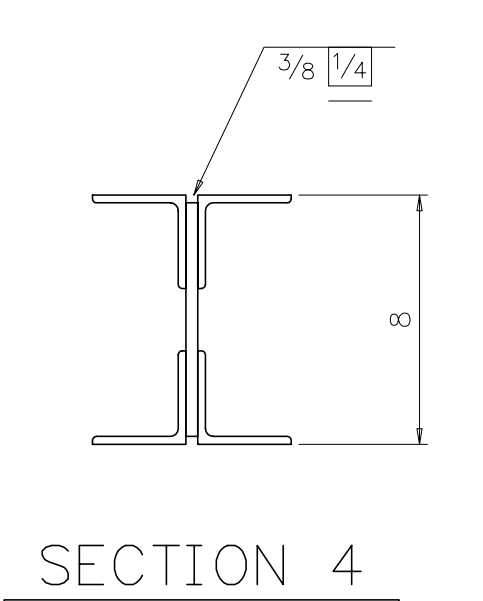
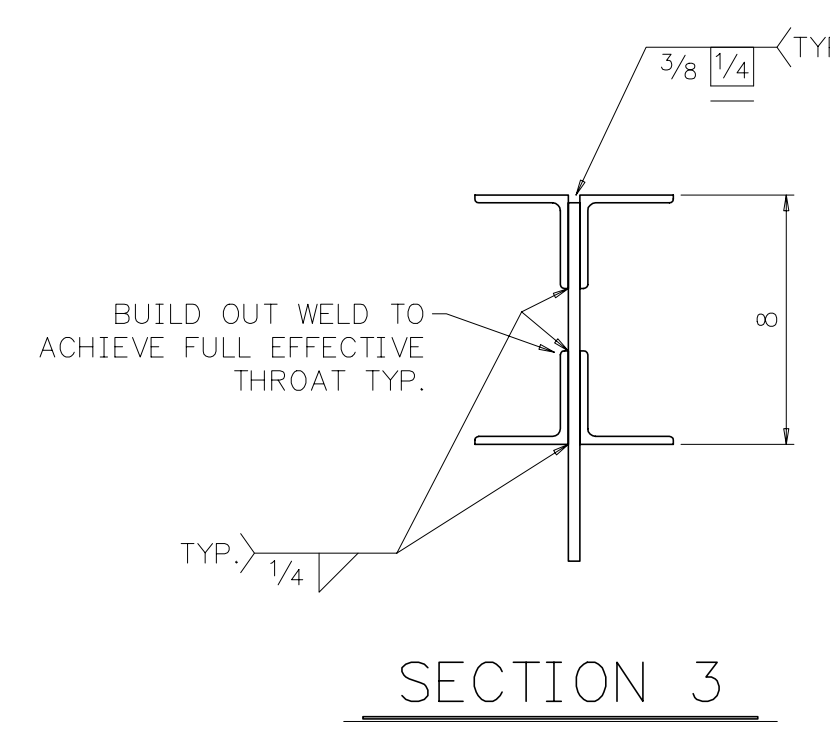
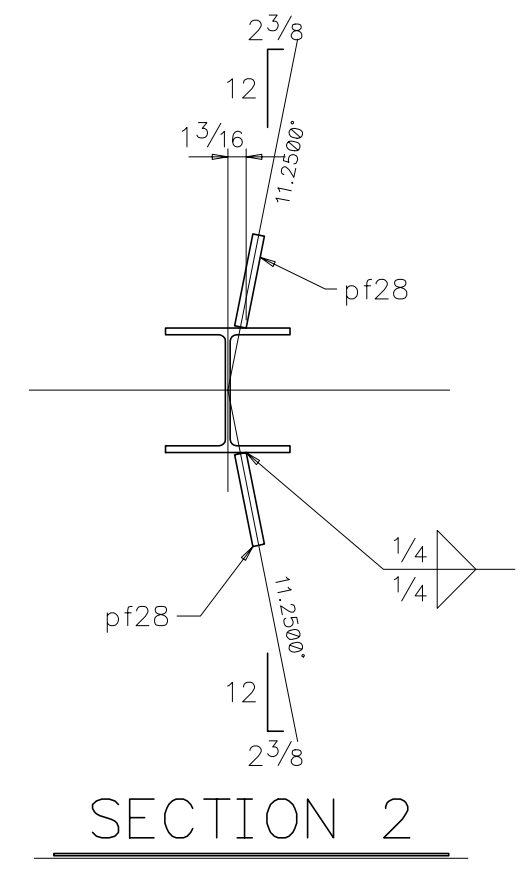
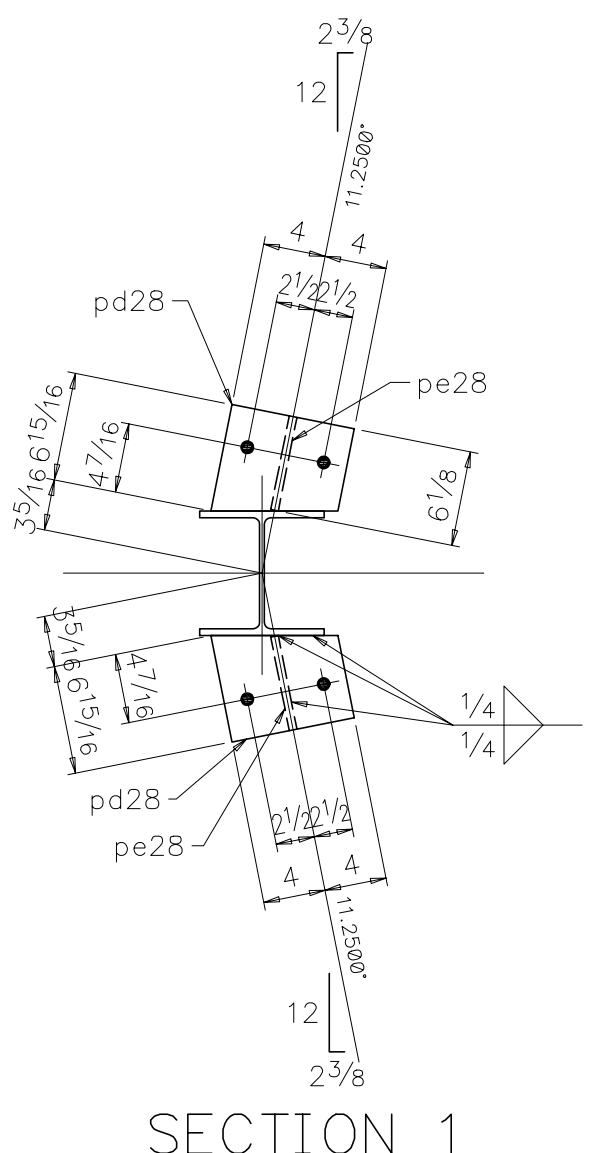


7 ~ TRUSSES ~ 28T1

(14) 3/4" x 2 1/4" A325 W/N&W



- TRUSS NOTES:
- ALL CHORD AND WEB STITCHES ARE TO BE EQUALLY SPACED BETWEEN POINTS OF ATTACHMENT.
  - NO CAMBER IS REQUIRED.
  - ALL CUTS ON GUSSET PLATES ARE TO BE AT 45- (12 TO 12) WITH RESPECT TO THE PLATE LENGTH UNLESS DIMENSIONED OTHERWISE.
  - RETURN WELDS AT CORNERS 1/2".
  - ALL WELDS SHOWN ARE EFFECTIVE SIZE AND LENGTH.
  - ALL ARC DIMENSIONS ARE MEASURED ALONG NEUTRAL AXIS.

SHOP NOTE:  
ALL ROLLED MATERIAL IS BILLED TO FINISHED LENGTH. CUT MATERIAL TO THE PROPER LENGTH TO ALLOW FOR ROLLING REQUIREMENTS.

SHOP NOTE:  
NO PAINT WITHIN 3" OF OPEN HOLES NOTED THUS:

WORK THIS SHEET WITH SHEET 29.

<b>HICKORY STEEL, INC.</b>	
STRUCTURAL STEEL & MISCELLANEOUS FABRICATORS AND ERectors	
NASHVILLE	TENNESSEE
PROJECT	CONGREGATION MICAH
LOCATION	NASHVILLE, TN
ARCHITECT	MICHAEL LANDAU ASSOC., P.A.
CUSTOMER	THE PARENT CO.
REVISIONS	PAIN
	1 S/C RED OXIDE UN
DRAWN BY	BV DATE 4/96
CHECKED BY	DG DATE 4/96
PRINT RECORD	
HOLES	1316- UN WELD E70xx
ORDER NO.	3309 DRAWING NO. 28