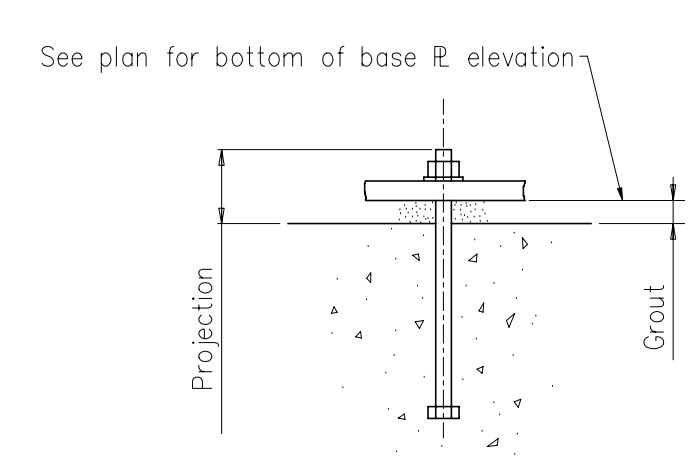


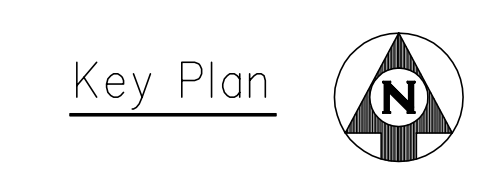
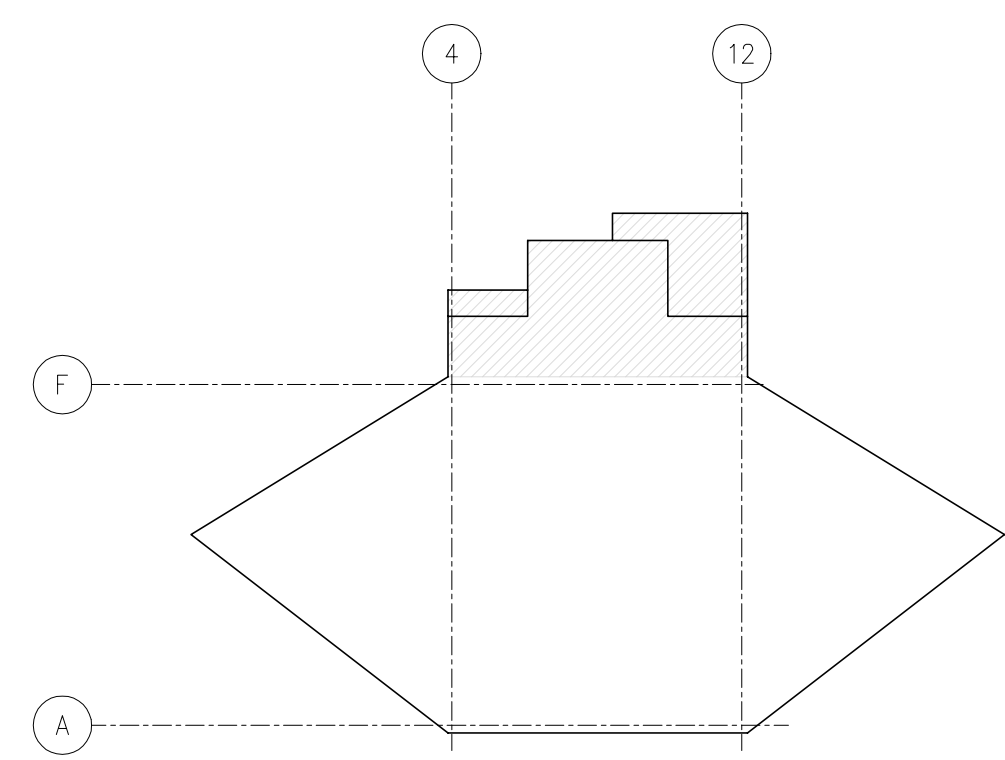
**Partial Anchor Bolt Plan**

Notes:  
 1. Elevations are based on finished floor elevation = 0'-0"  
 (actual elevation = 626.5')

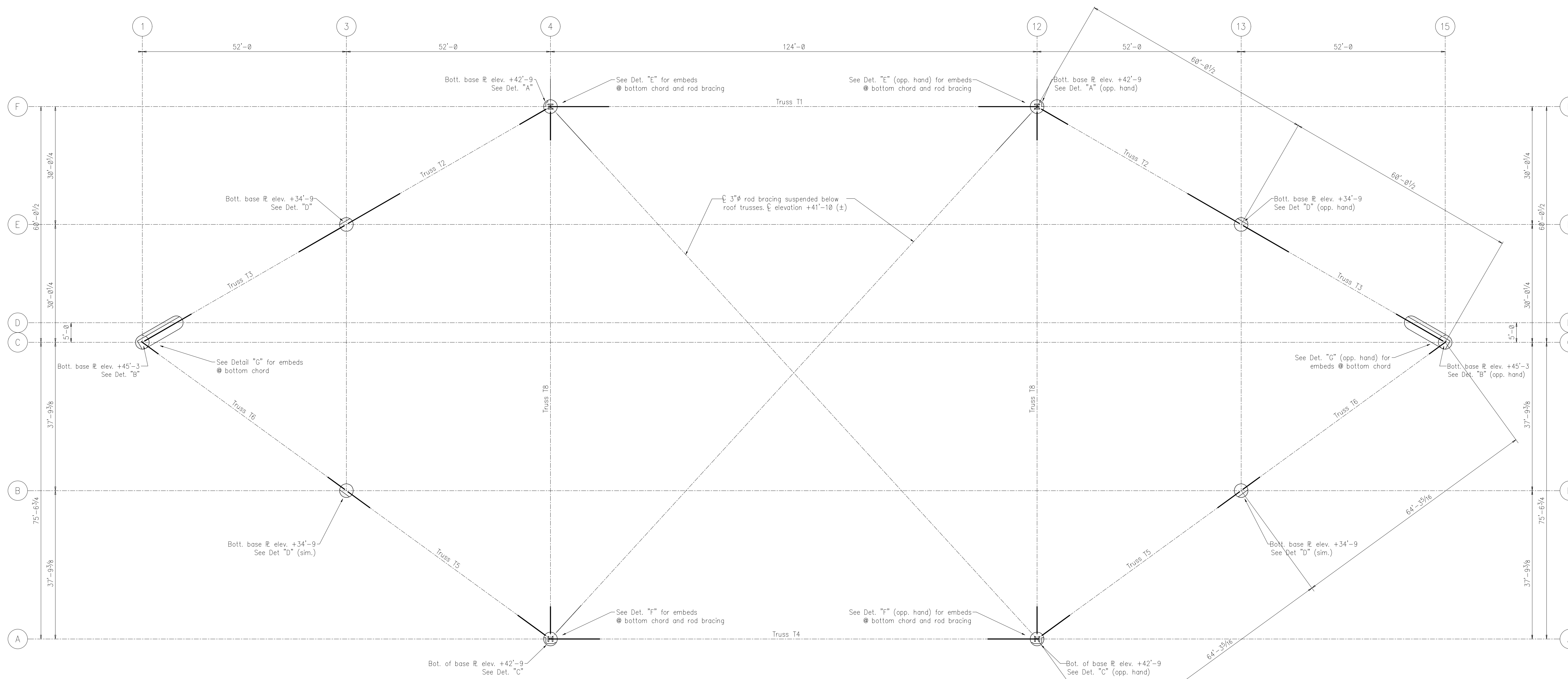


NOTE:  
See base R details for specific information

**1 Typical Anchor Bolt Detail**

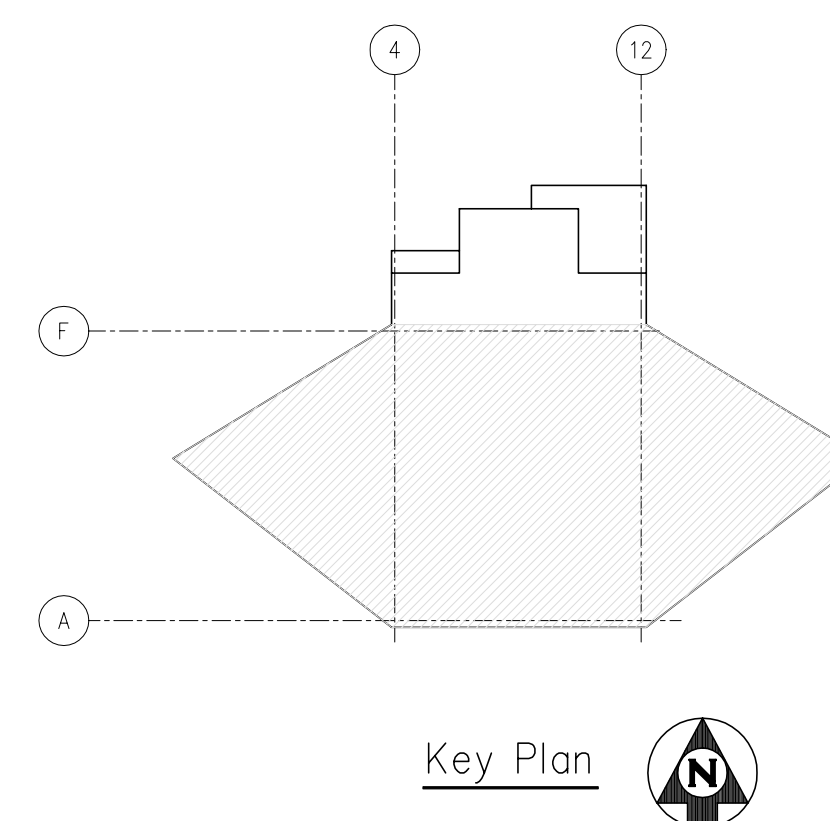


KINGSTON STEEL INCORPORATED KINGSTON SPRINGS, TN.	
JOB	Starwood Amphitheatre
LOCATION	Nashville, Tennessee
ARCHITECT	Gele/Sustaita
CUSTOMER	R.L. Scobey
DRAWN BY	B. Vaughan
CHECKED BY	DG
DATE	
PRINT RECORD	PAINT 1 S/C
	HOLES UNLESS NOTED
	WELD UNLESS NOTED
	JOB NO. 8601
	SHEET

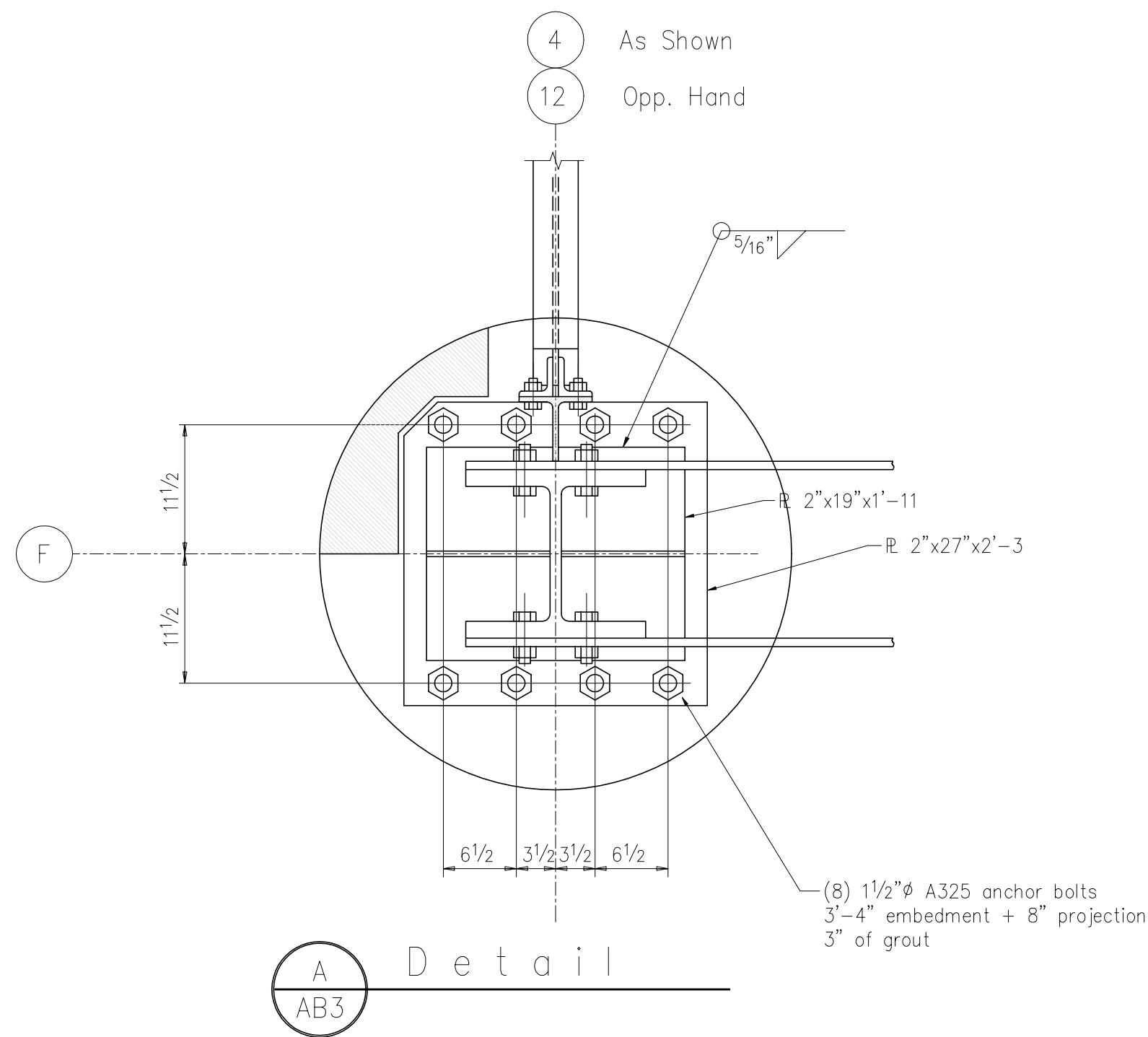


**Anchor Bolt Plan @ Covered Seating Area**

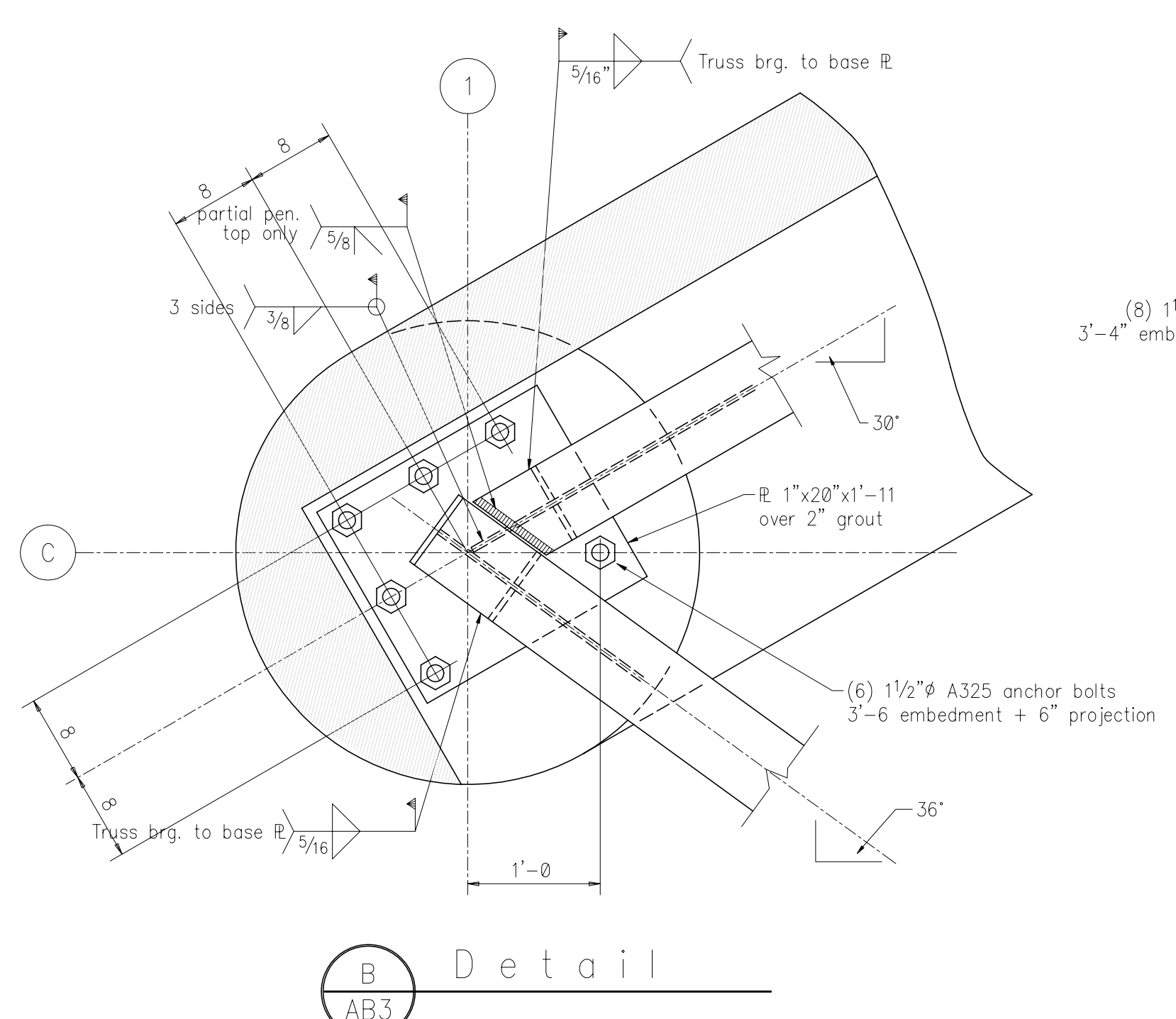
- NOTES:
1. All elevations given are based on finished floor elevation @ stage area = 0'-0" (actual elevation = 626.5').
  2. See sheet AB3 for details specified on this sheet.
  - 3.
  - 4.
  - 5.



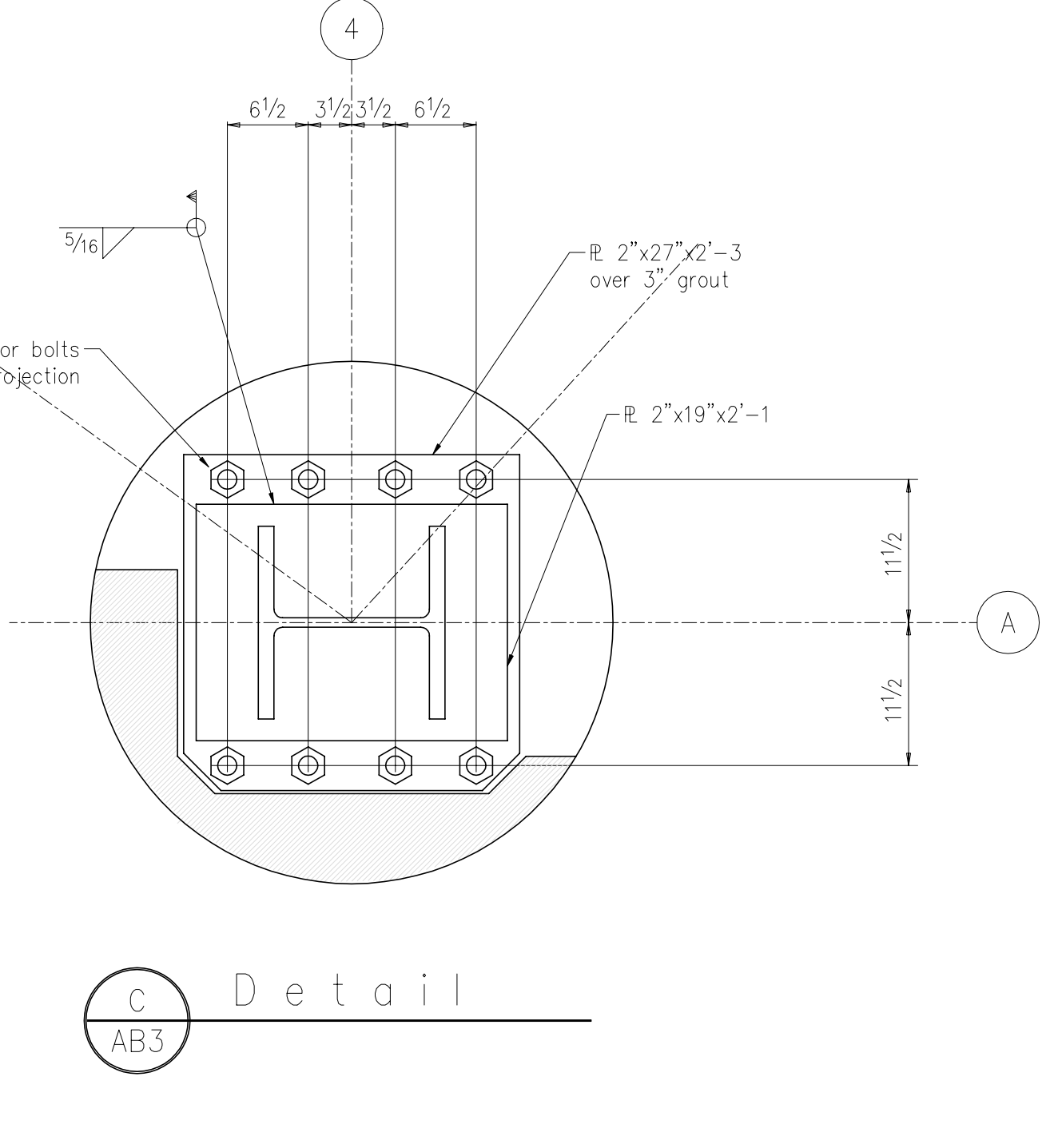
KINGSTON STEEL INCORPORATED KINGSTON SPRINGS, TN.		
JOB	Starwood Amphitheatre	
LOCATION	Nashville, Tennessee	
ARCHITECT	Gele/Sustaita	
CUSTOMER	R.L. Scobey	
DRAWN BY	B. Vaughan	PAINT 1 S/C
CHECKED BY	DG	
DATE		HOLES UNLESS NOTED
PRINT RECORD		WELD UNLESS NOTED
		JOB NO. 8601
		SHEET



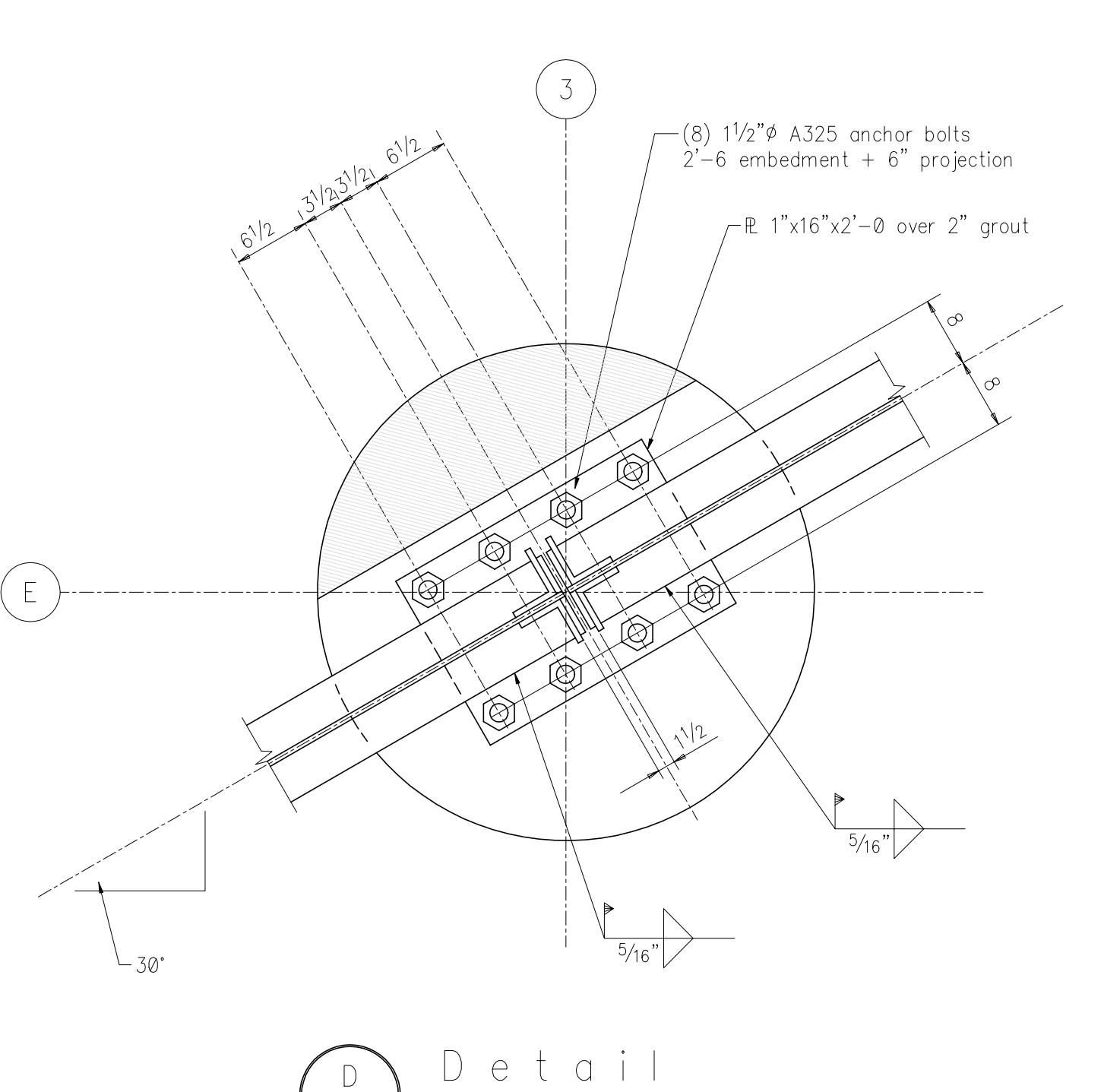
**A** Detail  
AB3



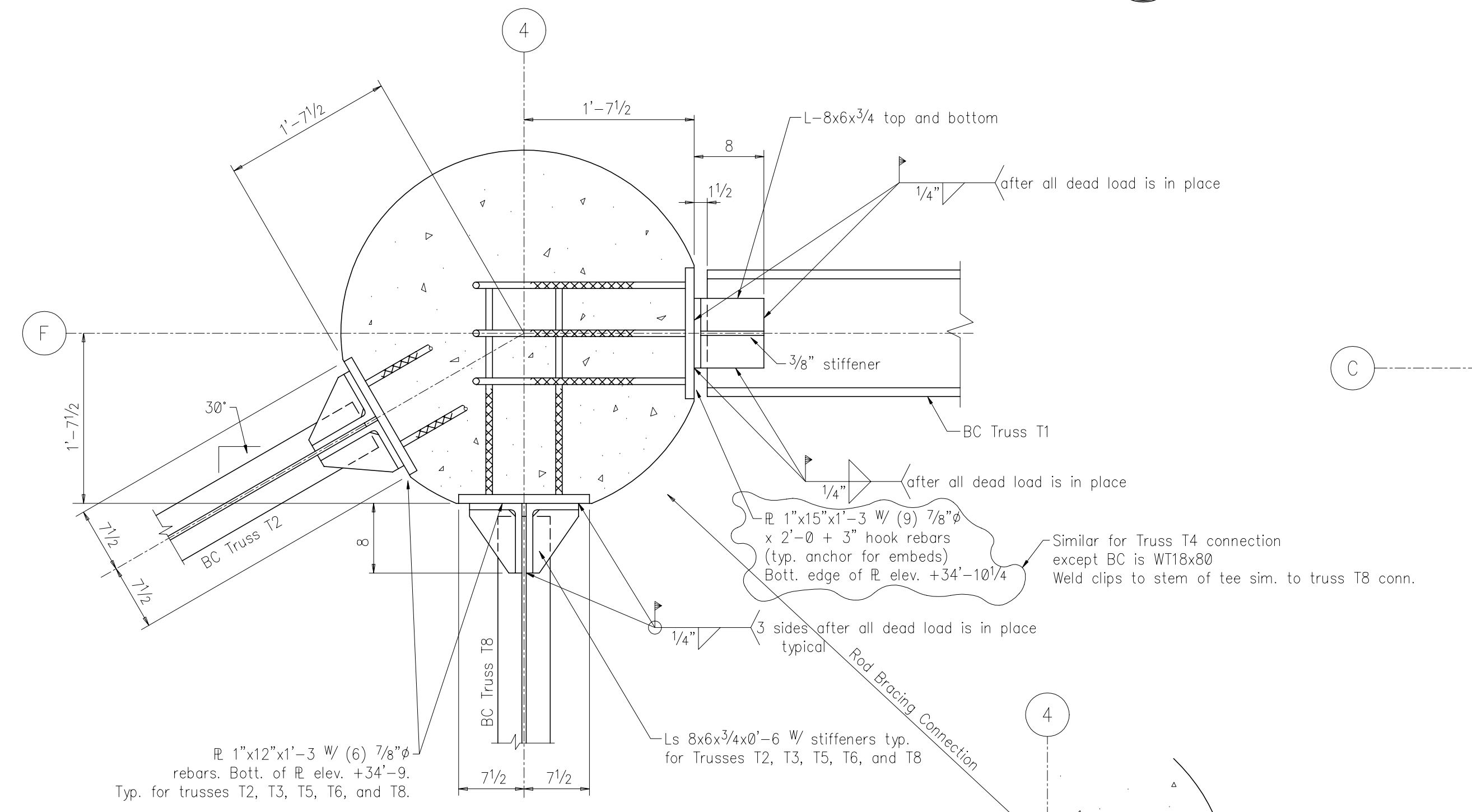
**B** Detail  
AB3



**C** Detail  
AB3

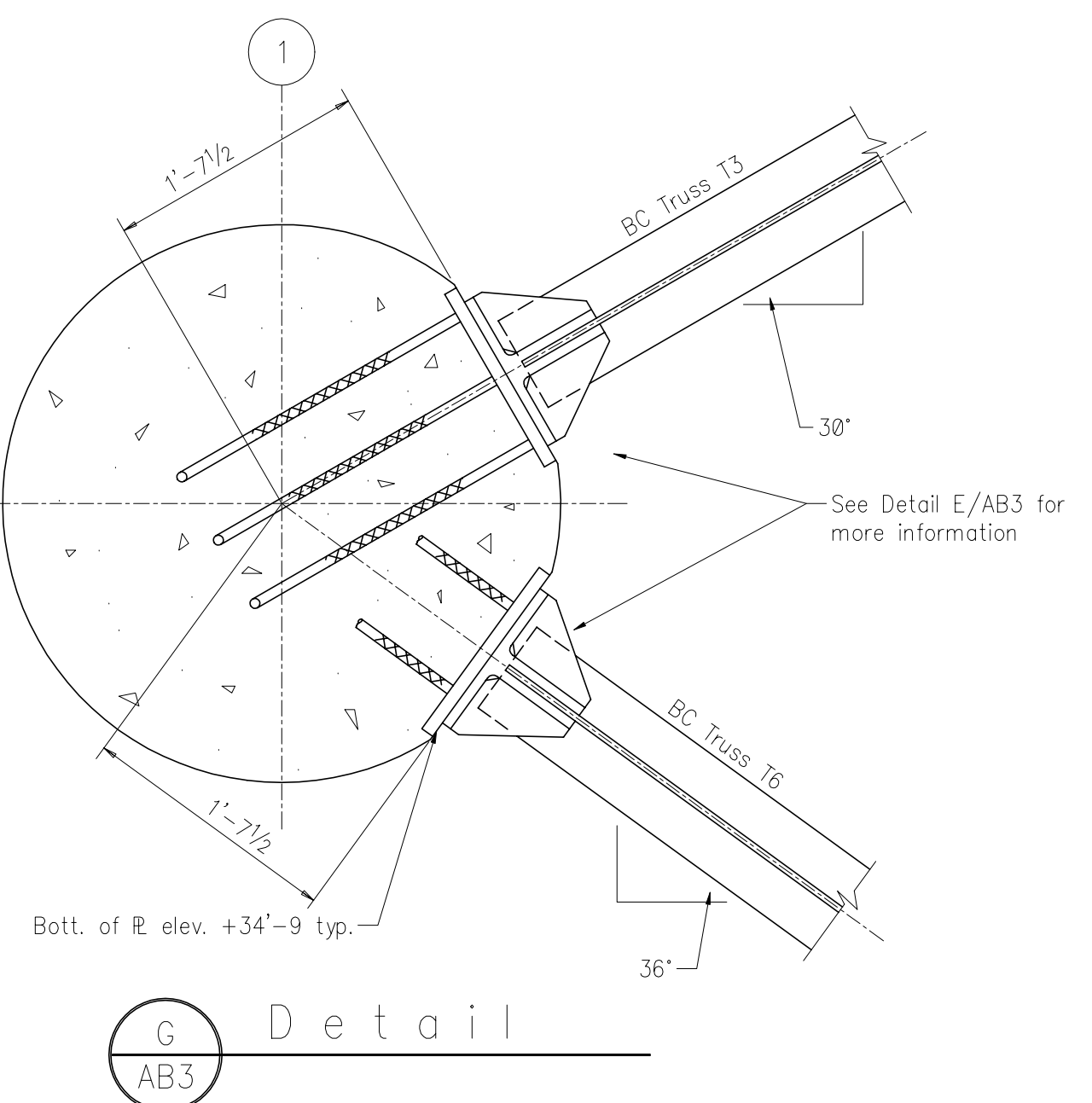


**D** Detail  
AB3

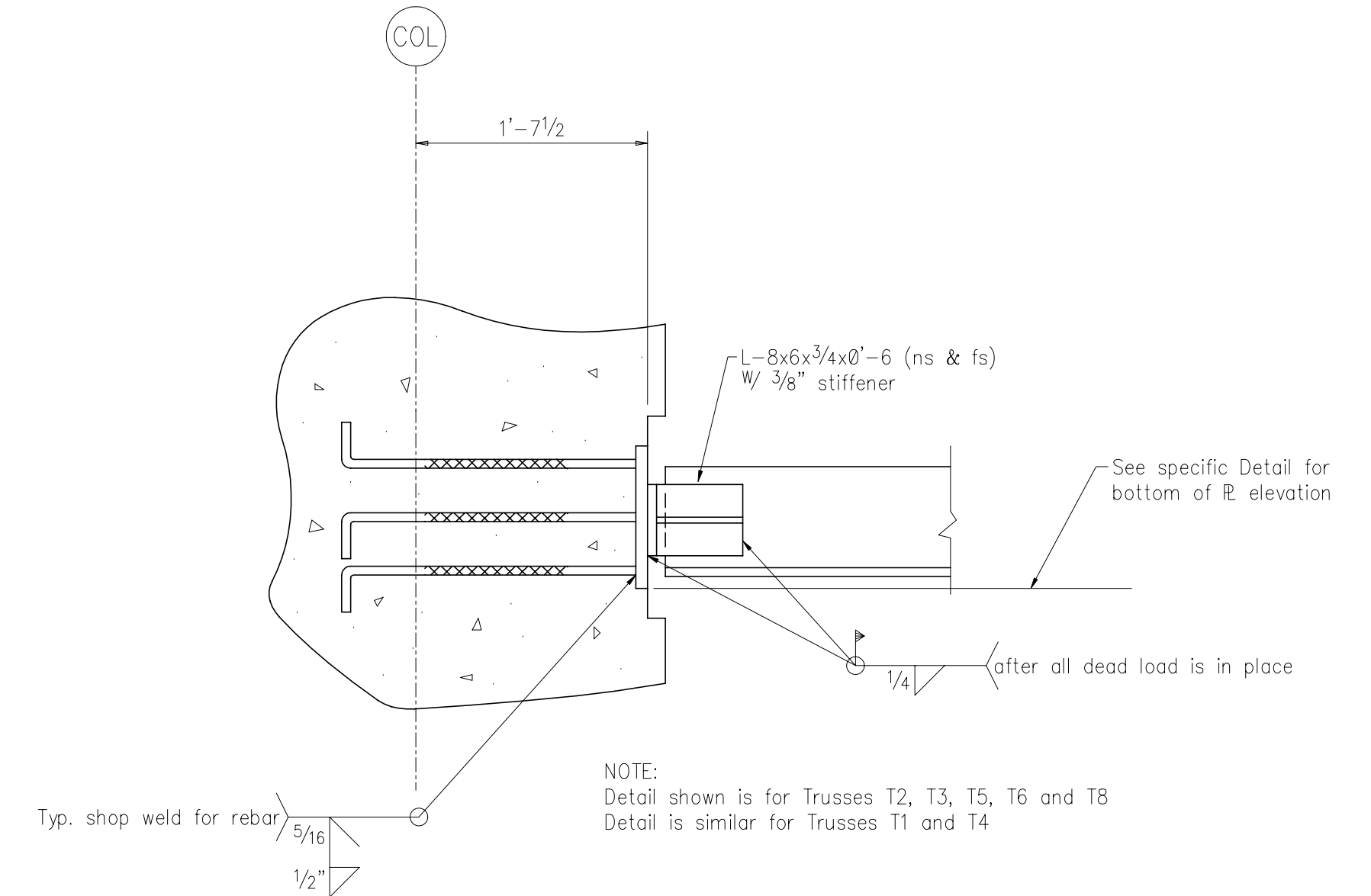


**E** Detail  
AB3

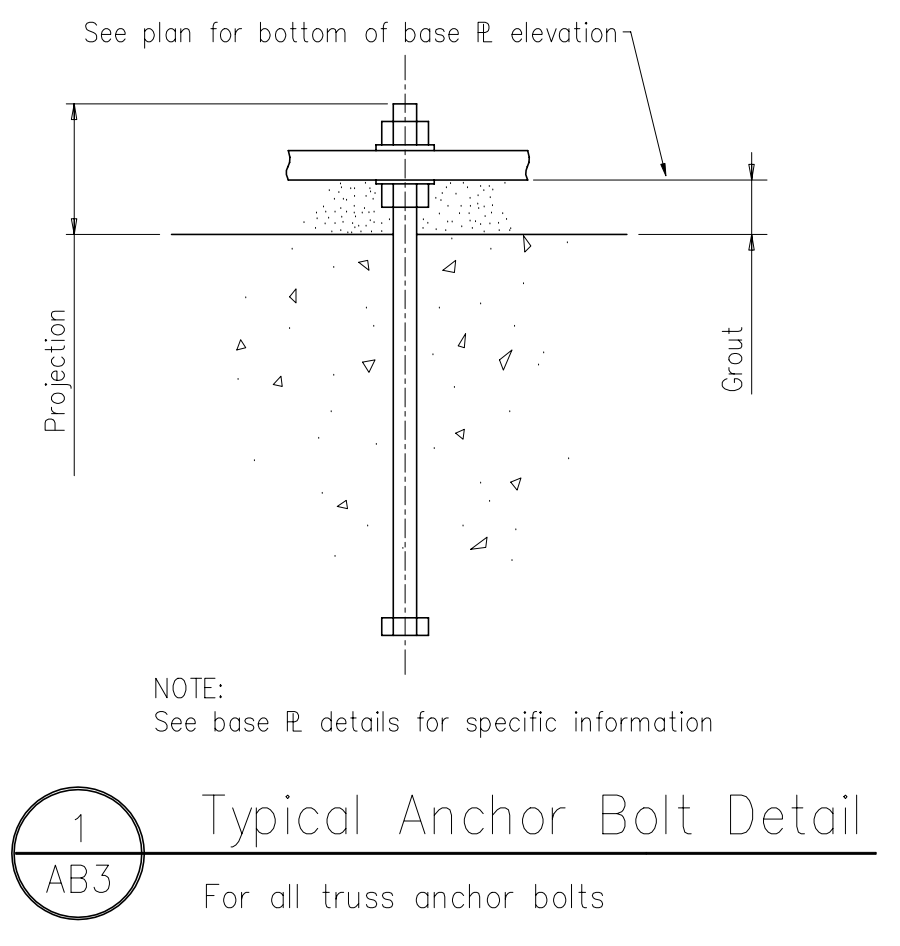
**F** Detail (Similar)  
AB3



**G** Detail  
AB3



**H** Typ. Embed Detail @ Truss Bottom Chord  
AB3



**I** Typical Anchor Bolt Detail  
AB3  
For all truss anchor bolts

KINGSTON STEEL INCORPORATED KINGSTON SPRINGS, TN.	
JOB	Starwood Amphitheatre
LOCATION	Nashville, Tennessee
ARCHITECT	Gele/Sustaita
CUSTOMER	R.L. Scobey
DRAWN BY	B. Vaughan PAINT 1 S/C
CHECKED BY	DG
DATE	HOLES UNLESS NOTED
PRINT RECORD	WELD UNLESS NOTED
	JOB NO. 8601
	SHEET